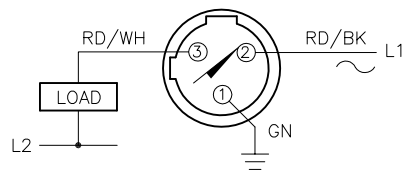


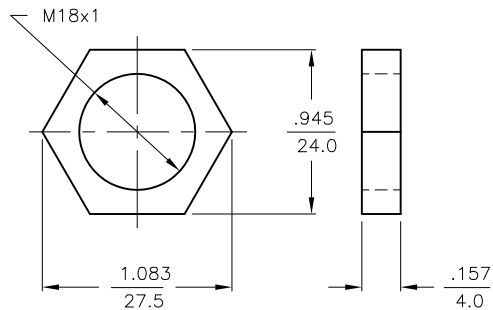
WIRING DIAGRAM



OUTPUT: ADZ30X2

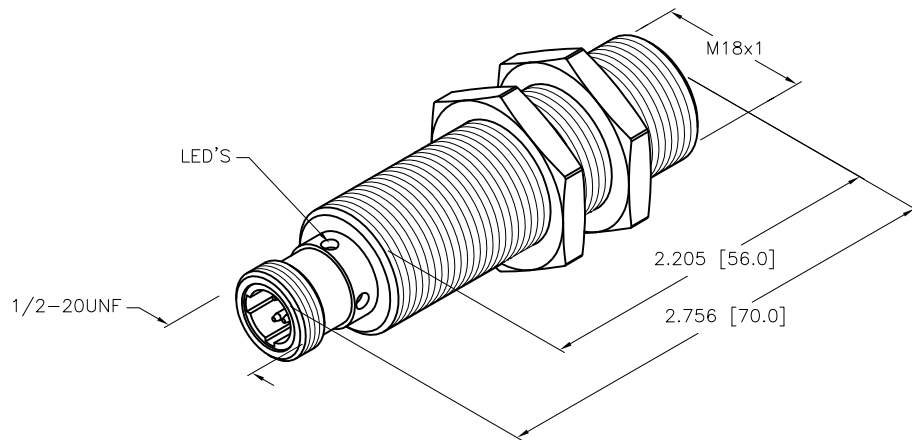
SHORT-CIRCUIT AND OVERLOAD PROTECTED.

LOCKNUT LN-M18 (PTFE-COATED)



SPECIFICATIONS

RATED OPERATING DISTANCE	5mm = .197"
MOUNTING MODE	FLUSH
TEMPERATURE DRIFT	≤±10%
HYSTERESIS	3-15%
MIN. REPEAT ACCURACY	≤2%
OPERATING TEMPERATURE	-25°C to +70°C (-13°F to +158°F)
RATED OPERATIONAL VOLTAGE (AC/DC)	20-250 VAC/10-300 VDC
MAX. RIPPLE	≤10%
RATED OPERATIONAL CURRENT (AC/DC)	≤400 mA AC/≤300 mA DC
FREQUENCY	50-60 Hz
RESIDUAL CURRENT	≤1.7 mA
RATED INSULATION VOLTAGE	≤1.5 kV
SURGE CURRENT	≤3.0 A (≤20 ms MAX. 5 Hz)
SHORT-CIRCUIT PROTECTION	YES, LATCHING
MAX. VOLTAGE DROP	≤6.0 V
WIRE BREAKAGE PROTECTION	INCORPORATED
REVERSE POLARITY PROTECTION	INCORPORATED
MAX. SWITCHING FREQUENCY	≤0.02 kHz
SMALLEST OPERATING CURRENT	≥3.0 mA
OUTPUT FUNCTION	3-WIRE, NORMALLY OPEN
HOUSING MATERIAL	BRASS, CHROME-PLATED (PTFE-COATED)
ACTIVE FACE MATERIAL	PLASTIC, PBT
CONNECTION	1/2-20UNF CONNECTOR
VIBRATION RESISTANCE	55 Hz (IN ALL 3 PLANES)
SHOCK RESISTANCE	30 g, 11 ms
DEGREE OF PROTECTION	IP67
SWITCHING STATUS INDICATION	LED, RED
OPERATING VOLTAGE INDICATION	LED, GREEN



SOURCE DRAWING - FOR REFERENCE ONLY

NOTES:

1. "/S34" DESIGNATES WELD FIELD IMMUNITY.

RELATED DOCUMENTS		3RD ANGLE PROJECTION		THIS DRAWING IS CONFIDENTIAL AND THE PROPERTY OF TURCK INC. USE OF THIS DOCUMENT WITHOUT WRITTEN PERMISSION IS PROHIBITED.		 3000 CAMPUS DRIVE MINNEAPOLIS, MN 55441 1-800-544-7769 (763) 553-7300 (763) 553-0708 fax www.turck.us	
1. 2. 3. 4.				DRFT GMB DATE 05/14/91 APVD SCALE 1=1.0		DESCRIPTION BI5-GT18-ADZ30X2-B3331/S34	
MATERIAL SEE SPECS		ALL DIMENSIONS DISPLAYED ON THIS DRAWING ARE FOR REFERENCE ONLY		UNIT OF MEASUREMENT <b>INCH [ MILLIMETER ]</b>		IDENTIFICATION NO. 4255400	
FINISH		CONTACT TURCK FOR MORE INFORMATION		DO NOT SCALE THIS DRAWING		REV J	
J	UPDATE ID NUMBER PER HARMONIZATION PROJECT	CBM	01/30/18	FILE: 4255400			
REV	DESCRIPTION	BY	DATE	ECO NO.			